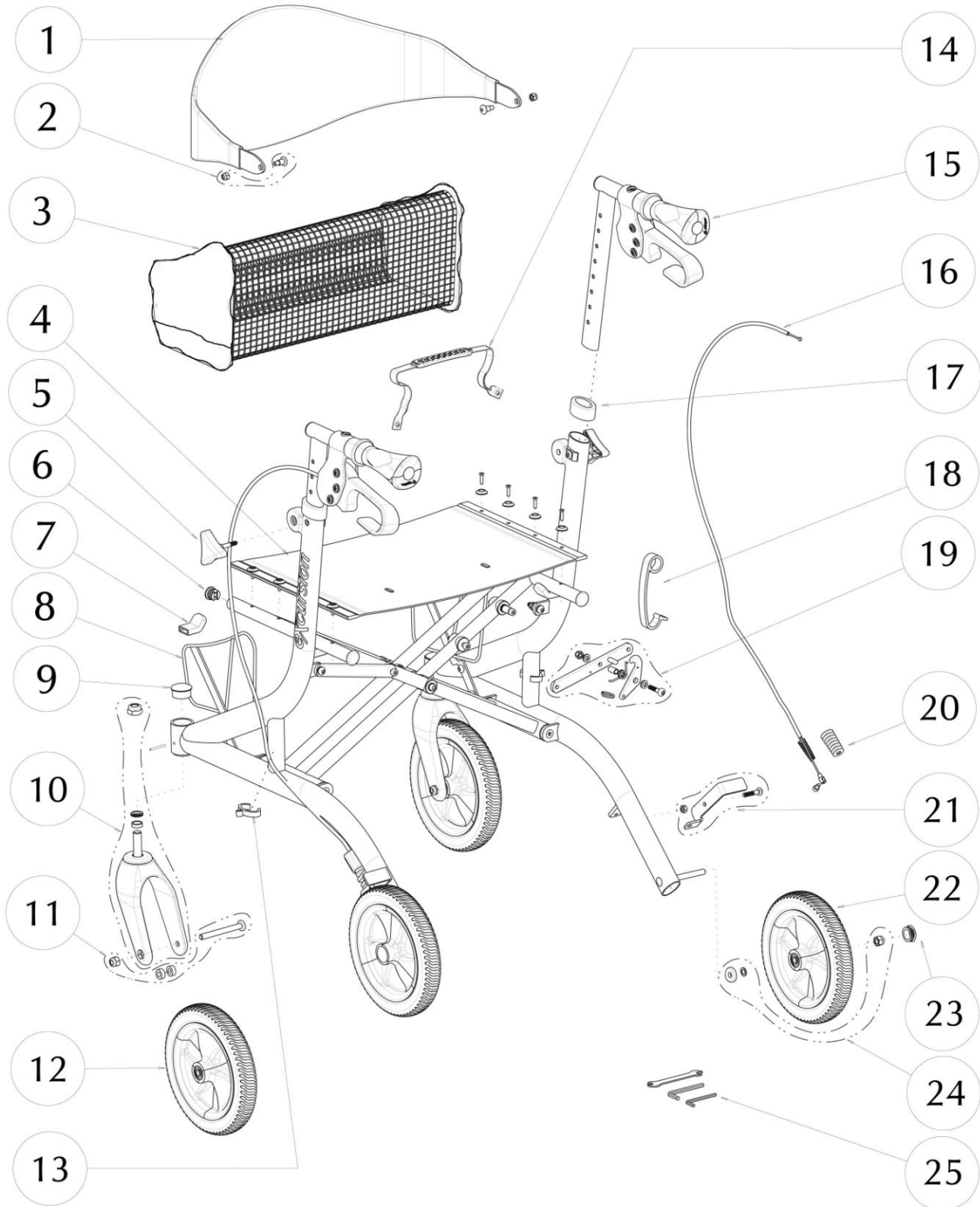


**700-920 (PEARL BLACK)**  
**AIRGO X20 EXCURSION ROLLATOR**  
**SIDE-FOLDING, AIRGO HANDLES AND COMFORT-GRIP WHEELS**



**700-920 (PEARL BLACK)**  
**AIRGO X20 EXCURSION ROLLATOR**  
**SIDE-FOLDING, AIRGO HANDLES AND COMFORT-GRIP WHEELS**

| Item # | AMG Part #       | Item Description   | Qty Per Unit | Sold by |
|--------|------------------|--|--------------|---------|
| 1.     | <b>A01-101</b>   | Full Contoured Backrest, Black   | 1 EA         | 1 EA    |
| 2.     | <b>B01-861</b>   | Hardware for Backrest (2 Special Bolts M6x16mm & 2 Hex Locknuts)   | 1 ST         | 1 ST    |
| 3.     | <b>A01-621</b>   | Soft Basket for X20, X23 Excursion & Fusion  | 1 EA         | 1 EA    |
| 4.     | <b>B01-281</b>   | Nylon Foldable Seat (17.5" x 12") with Hardware (8 screws M4x14mm & 8 Black Plastic Washers)   | 1 EA         | 1 EA    |
| 5.     | <b>A01-416</b>   | Triangular Knob, M6x30mm – 2ea / set   | 1 ST         | 1 ST    |
| 6.     | <b>B01-601</b>   | Caps for Seat Tubing, Black (2 Front Caps & 2 Rear Caps)   | 1 ST         | 1 ST    |
| 7.     | <b>A01-450</b>   | Seat Support Bracket Cover, Black - 2 ea / set   | 1 ST         | 1 ST    |
| 8.     | <b>B01-871</b>   | Mounting Brackets with Hardware, X20, X23 & X-Wide Excursion   | 1 ST         | 1 ST    |
| 9.     | <b>A01-454</b>   | Cap for Front 1" Tubing, Black – 2ea / set   | 1 ST         | 1 ST    |
| 10.    | <b>B01-301</b>   | Front Fork Subassy,(Black Plastic Fork, 2 Bearings, Fork Cover, Fork Bolt M12x60mm, Aluminum Spacer, Spring-Washer & Hex Nut M12)                | 2 EA         | 1 EA    |
| 11.    | <b>B01-832</b>   | Hardware for 8" Front Wheel (Bolt M8x78.5mm, 2 Aluminum Spacers & Hex Nut M8)  | 2 ST         | 1 ST    |
| 12.    | <b>B01-141</b>   | 8" Comfort-Plus Front Wheel (PU Tire 8"x1.25" with Full Hub, Bushing & 2 Bearings)   | 2 EA         | 1 EA    |
| 13.    | <b>A01-244</b>   | Oval Cable-Clip, Black – 2 ea / set  | 1 ST         | 1 ST    |
| 14.    | <b>A01-286</b>   | Seat Strap, Black  | 1 EA         | 1 EA    |
| 15.    | <b>B01-032BK</b> | Airgo Handle Oval Bar with Brake Handle Subassy (2 Handle Oval Bars, 2 Brake Handles with Hardware & 2 Grey Airgo Handle Grips)                  | 1 PR         | 1 PR    |
| 16.    | <b>B01-157</b>   | Brake Cable & Sleeve Assembly (Cable, Sleeve 860mm, Adjustment Screw, Spring, Spring Sleeve, Cable Stopper with Screw M5x6mm & Fishtail Stopper) | 2 ST         | 1 ST    |
| 17.    | <b>A01-211</b>   | Oval Anti-Rattle, Black Plastic – 2ea / set  | 1 ST         | 1 ST    |
| 18.    | <b>A01-282</b>   | Fold Stopper Strap, Orange Plastic   | 1 EA         | 1 EA    |
| 19.    | <b>B01-881</b>   | Open Seat Mechanism (Right Link Bar, Bolt M6x28mm, Alum. Bracket, Spring, Chromed Ring, Brass Sleeve, 2 Grey Plastic Washers & Hex Nut M6)       | 1 ST         | 1 ST    |
| 20.    | <b>A01-419</b>   | Spring Sleeve, Black   | 2 EA         | 1 EA    |
| 21.    | <b>B01-159</b>   | Bottom Brake Assy, L&R (2 Bolts M6x22mm, Left & Right Brake Pad & 2 Hex Nuts)  | 1 ST         | 1 ST    |
| 22.    | <b>B01-142</b>   | 8" Comfort-Plus Rear Wheel (PU Tire 8"x1.25" with Full Hub, Bushing & 2 Bearings)  | 2 EA         | 1 EA    |
| 23.    | <b>A01-453</b>   | Hub Cap for Rear Wheel   | 2 EA         | 1 EA    |
| 24.    | <b>B01-845</b>   | Hardware for Rear Wheel (Locknut M8, Curved Washer & Steel Washer)   | 2 ST         | 1 ST    |
| 25.    | <b>A01-712</b>   | Tool Package of 3 ( #4mm, #5mm Allen Keys & 8-10mm Wrench)   | 1 ST         | 1 ST    |